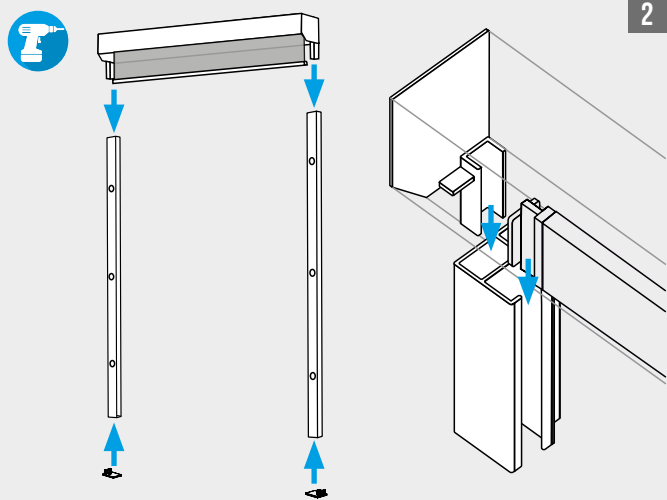
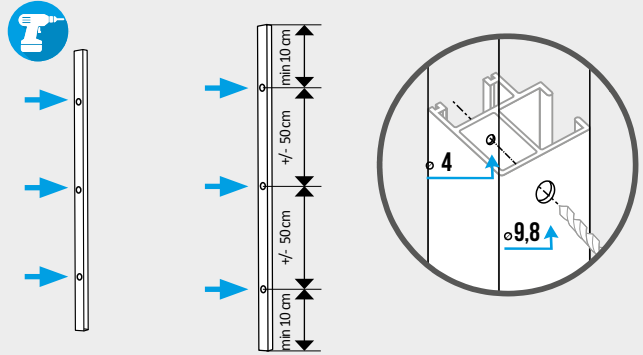


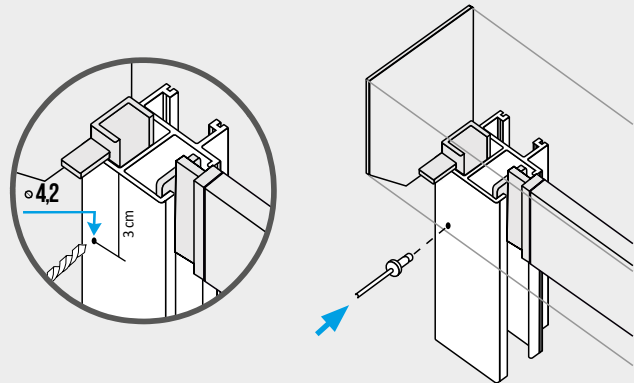
HEMA

TYPE 95 105 125

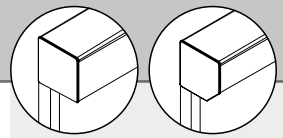
1



2



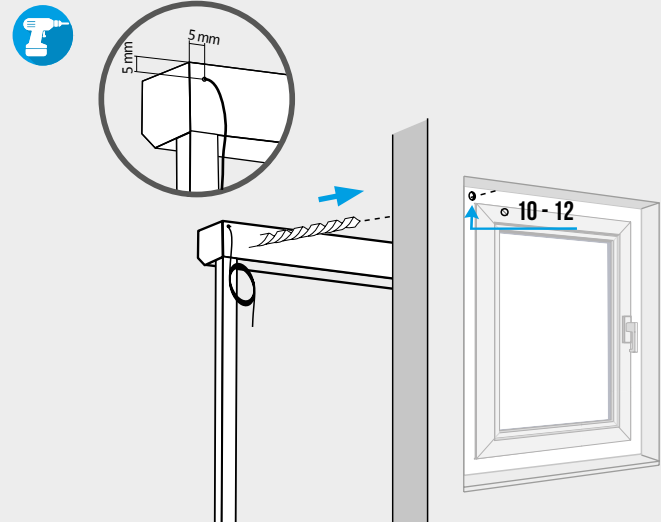
3



HEMA

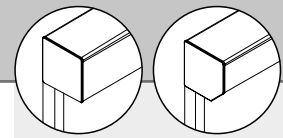
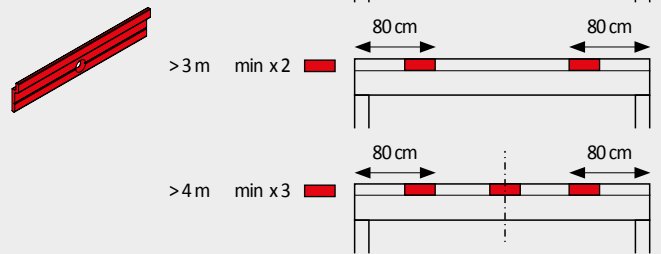
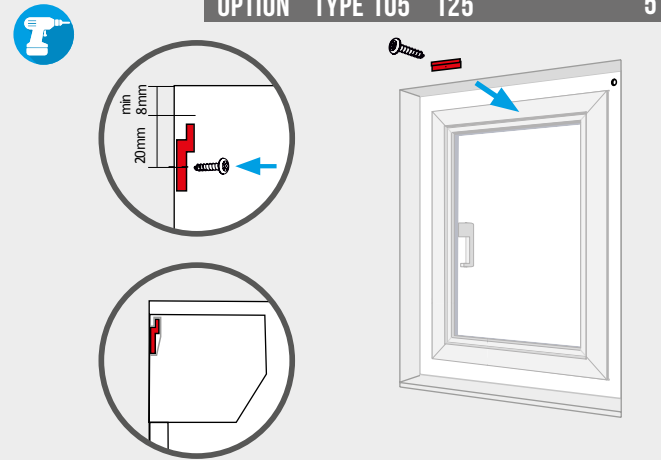
TYPE 95 105 125

4



OPTION TYPE 105 125

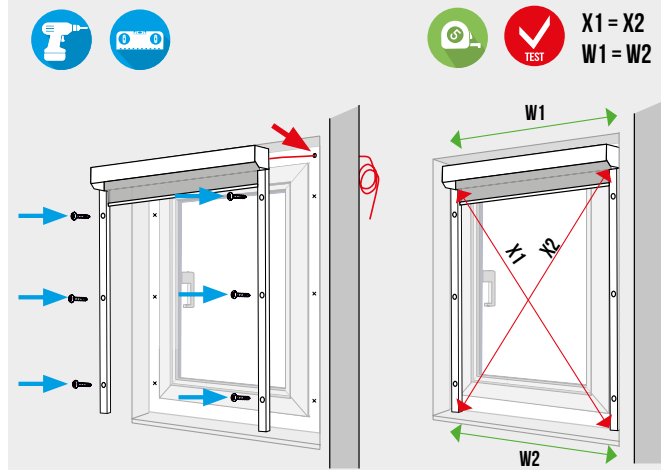
5



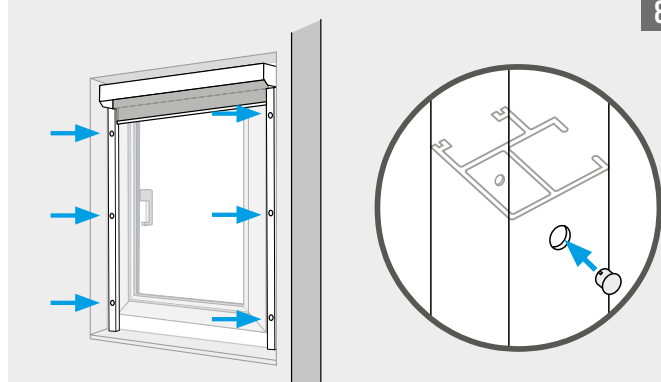
HEMA

TYPE 95 105 125

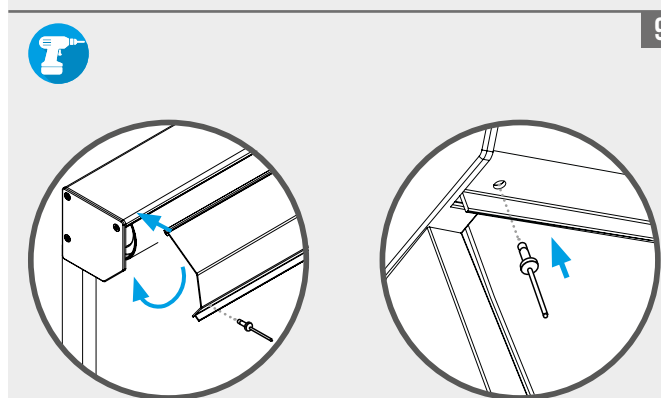
6



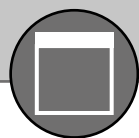
7



8



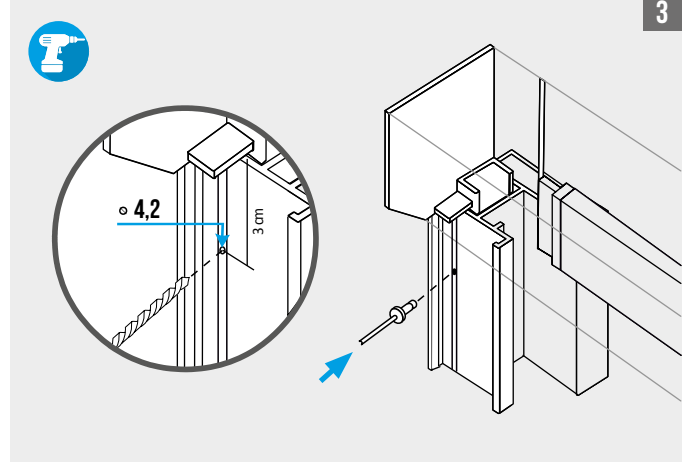
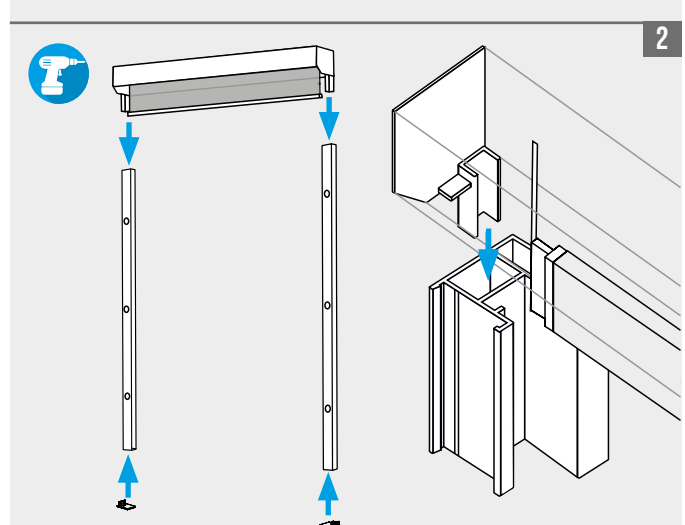
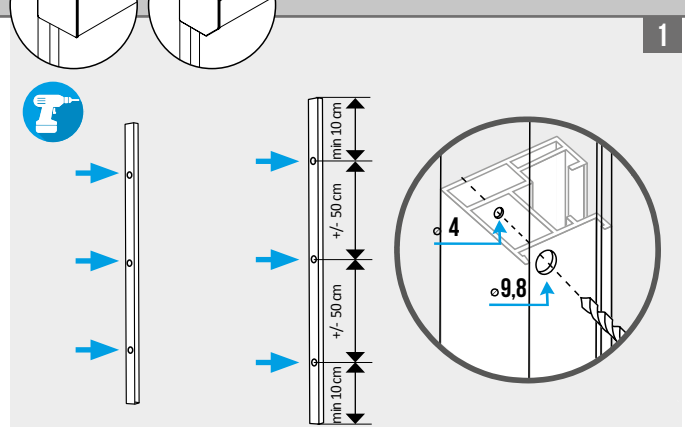
9



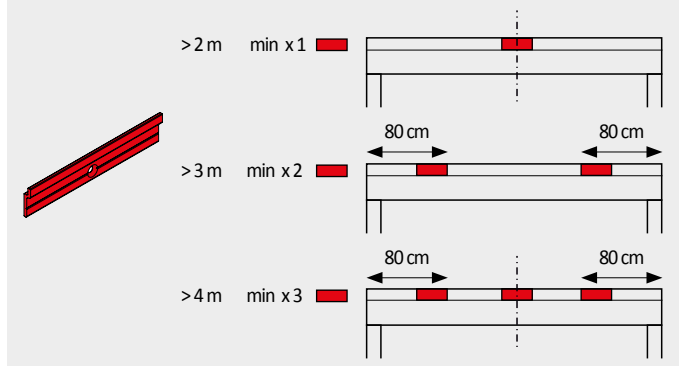
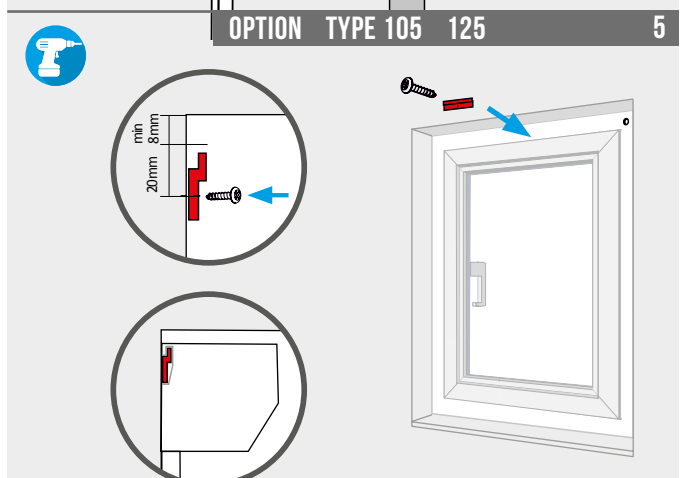
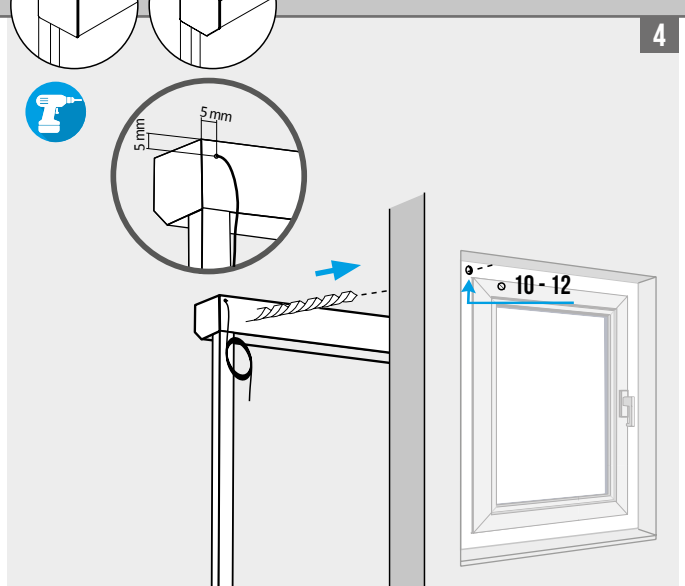
HEMA

HEMA ZIP

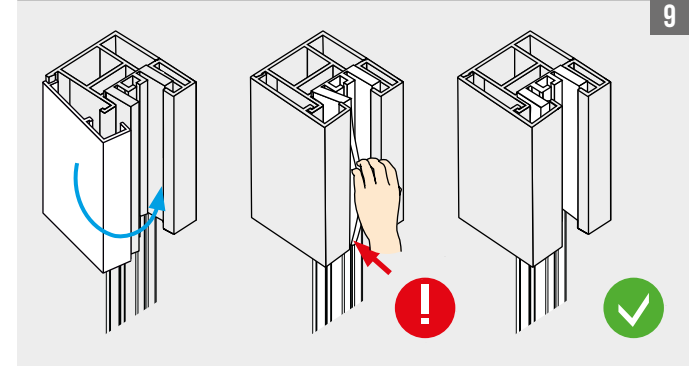
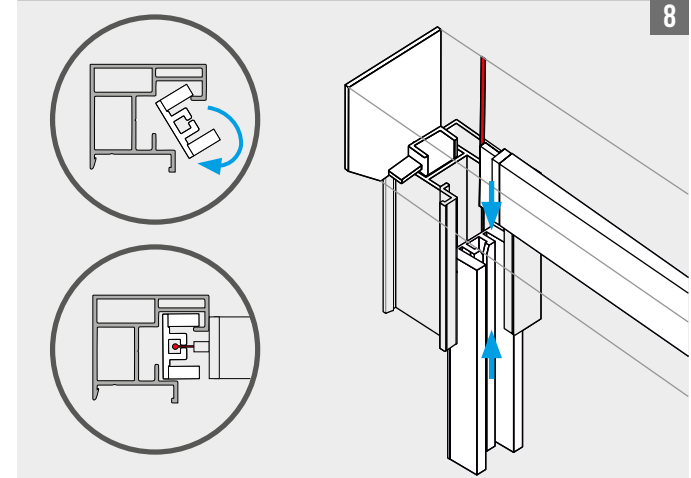
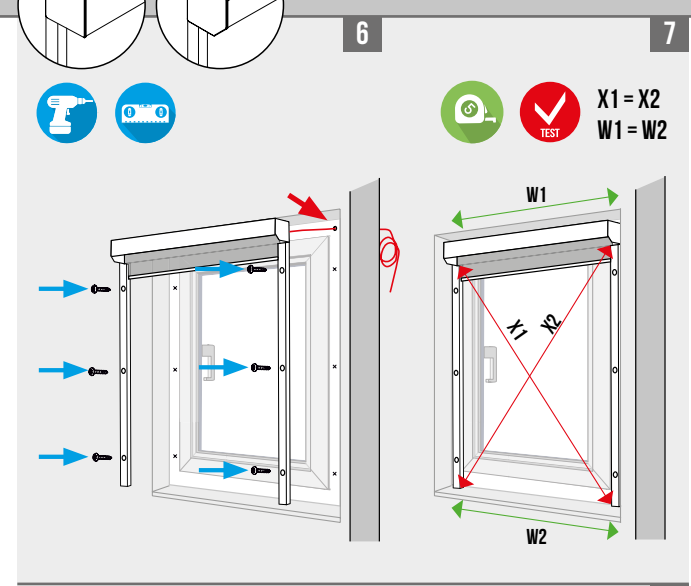
HEMA ZIP TYPE 95 105 125



HEMA ZIP TYPE 95 105 125



HEMA ZIP TYPE 95 105 125



HEMA ZIP TYPE 95 105 125

